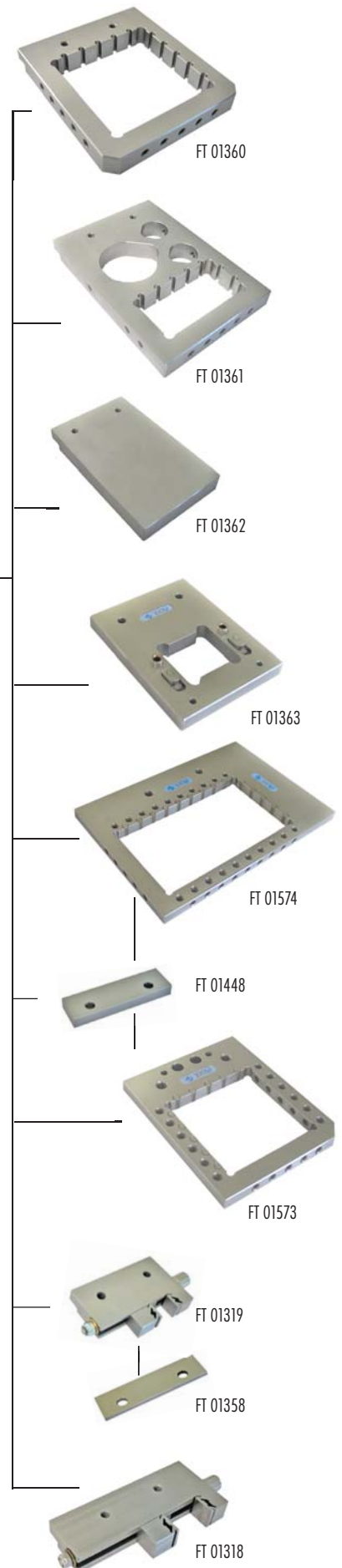
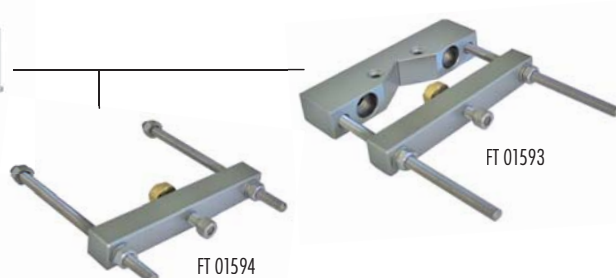
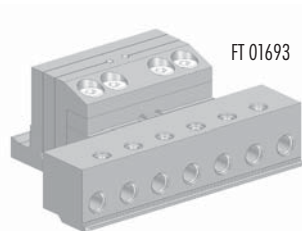
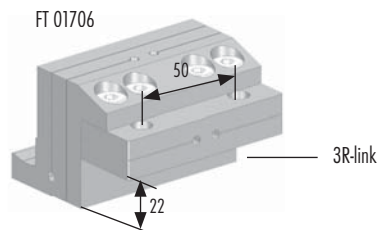
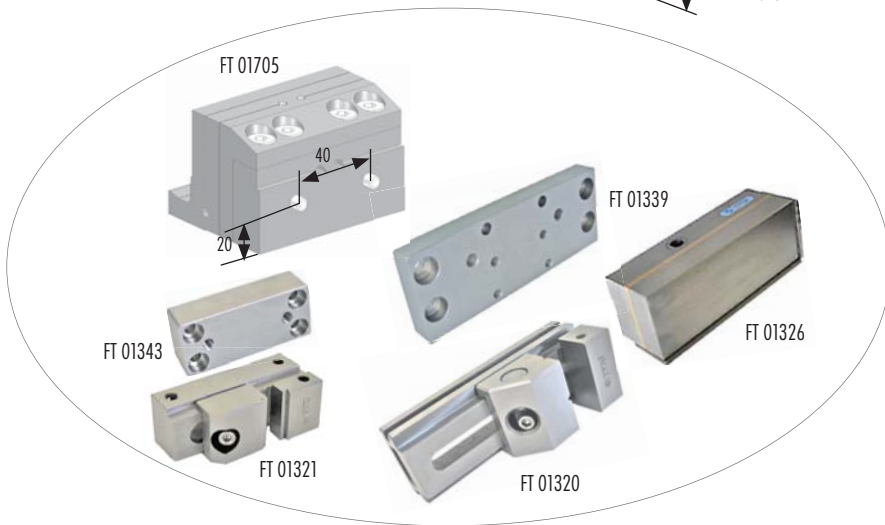
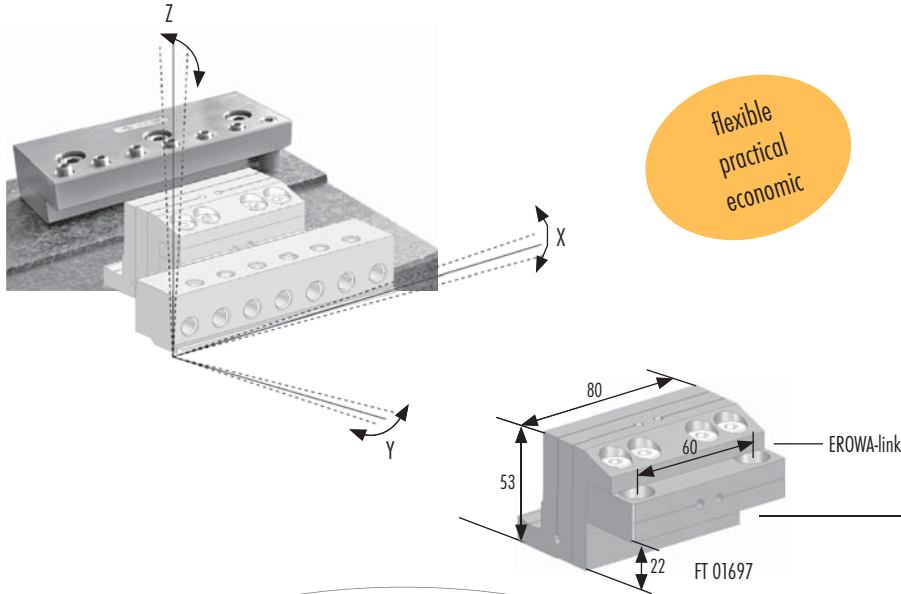
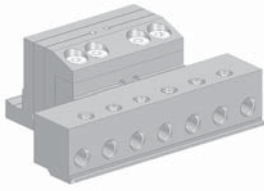


## F-Tool 3D swivel head: Adjustment in 3 dimensions.

Fast, precise and three-dimensional adjustment. Among many F-Tool clamping elements it's also compatible with EROWA and 3R systems. The swivel head can be prepared and adjusted outside the machine on a presetting station. Afterwards it's going to be clamped in the F-Tool basic ruler of the machine.

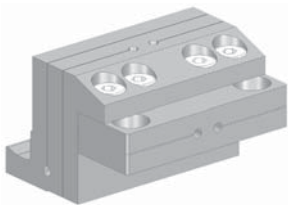




**F-Tool 3D swivel head with front spanner 140**

The F-Tool 3D swivel head with front spanner 140 is delivered completely with screws, brackets and allen keys. The prism holder (FT 01593) and the yoke 140 mm (FT 01594) can be fixed frontal into the FT 01693. The yoke can be used directly on the beams and on the front spanner to clamp square pieces as well.

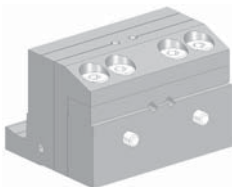
Article no.	Article	Quantity	Weight	Code
FT 01693	FTool 3D swivel head with front spanner 140	1 piece		W
<b>Options:</b>				
FT 01593	Prism holder 110 mm complete	1 piece	1.50 kg	W
FT 01594	Yoke 140 mm without prism holder	1 piece	0.65 kg	W



**F-Tool 3D swivel head IF 22**

The 3D swivel head IF 22 can be used in combination with many F-Tool clamping elements. Furthermore, this article is compatible with some EROWA PalletSet W elements.

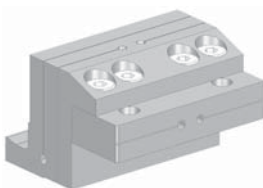
Article no.	Article	Quantity	Weight	Code
FT 01697	FTool 3D swivel head IF 22	1 piece		W
<b>Options:</b>				
FT 01318	FTool vise 55F18	1 piece	1.07 kg	W
FT 01319	FTool vise 100F22	1 piece	1.43 kg	W
FT 01358	FTool spacer plate 100 x 29 x 4 mm	1 piece	0.11 kg	W
FT 01360	FTool frame pallet 100 x 22 mm	1 piece	3.28 kg	W
FT 01361	FTool universal pallet 22 mm	1 piece	3.80 kg	W
FT 01362	FTool blank pallet 22 mm	1 piece	2.75 kg	W
FT 01363	RefTool IF pallet 14 mm	1 piece	1.52 kg	W
FT 01448	Spacer plate 100 x 29 x 12 mm	1 piece	0.31 kg	W
FT 01573	FTool frame pallet 75 x 75 x 10 mm without clamping beam	1 piece	0.85 kg	W
FT 01574	FTool frame pallet 135 x 75 x 10 mm without clamping beam	1 piece	1.50 kg	W



**F-Tool 3D swivel head IF 90°**

The 3D swivel head IF 90° is used for the frontal collet of clamping elements and adapter plates.

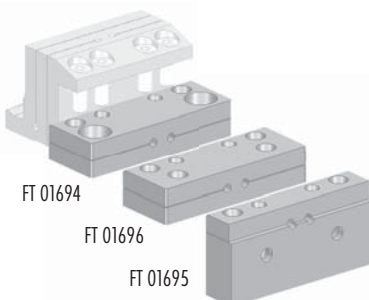
Article no.	Article	Quantity	Weight	Code
FT 01705	FTool 3D swivel head IF 90°	1 piece		W
<b>Options:</b>				
FT 01320	FTool vise 80VL50	1 piece	1.40 kg	W
FT 01321	FTool vise 20VL24	1 piece	0.26 kg	W
FT 01326	FTool magnetic table 140 x 50 x 44 mm	1 piece	2.60 kg	W
FT 01339	Interface plate 146 x 56 x 12 mm	1 piece	1.30 kg	W
FT 01343	Interface uniplate for vise 20VL24	1 piece	0.22 kg	W



**F-Tool 3D swivel head IF 22 / 3R**

Compatible with many 3R clamping elements.

Article no.	Article	Quantity	Weight	Code
FT 01706	FTool 3D swivel head IF 22 / 3R	1 piece		W



**F-Tool Adapter to swivel head**

For every application the right adapter.

Article no.	Article	Quantity	Weight	Code
FT 01694	IF 22 for 3D swivel head	1 piece		W
FT 01695	IF 90° for 3D swivel head	1 piece		W
FT 01696	IF 22 / 3R for 3D swivel head	1 piece		W